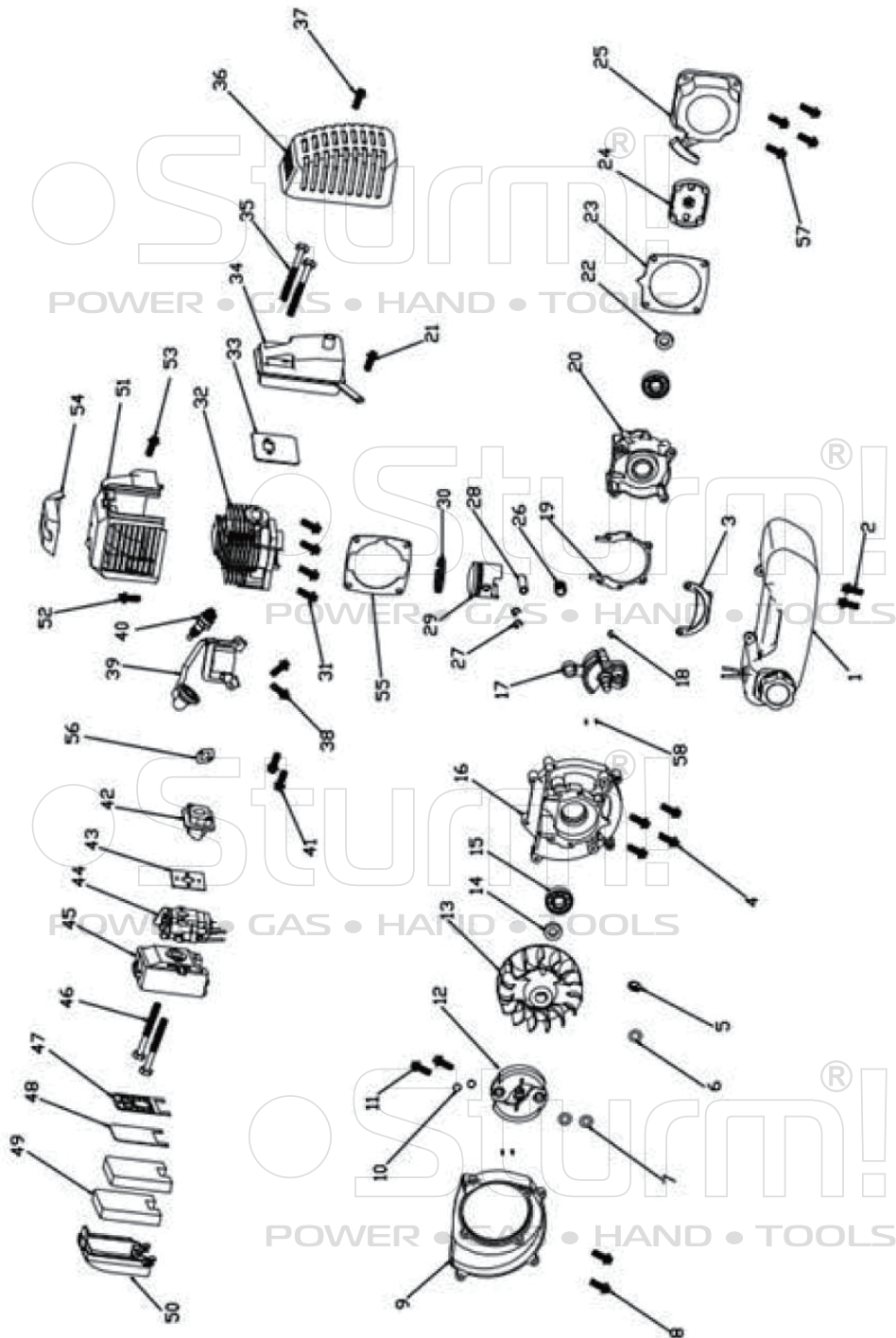


GK83021

NO.	DESCRIPTION	NO.	DESCRIPTION
1	LEFT GEAR BOX	32	HANDLE GRIP
2	RIGHT GEAR BOX	33	MIDDLE HANDLE
3	FLANGE SCREW	34	DOWN HANDLE
4	ALLEN SCREW (M6*20)	35	CARRIAGE BOLTS
5	NUT M10X5	36	PLASTIC NUT
6	CLUTCH DRUM COMP	37	BACK BRACKET
7	BEARING 6000Z	38	WHEEL ADJUSTER PLATE
8	COPPER SPACER	39	SCREW M6X25
9	WORM SHAFT WASHER	40	NUT M6
10	COMBINED BEARING AX1216	41	WHEEL AXLE ROUND PIPE
11	WORM SHAFT	42	WHEEL ADJUSTER BASE
12	BLADE SHAFT	43	WHEEL ADJUSTER SPACER
13	BLADE SHAFT WASHER	44	SPRING
14	COPPER GEAR	45	WHEEL
15	OIL BEARING	46	SCREW MANDREL
16	OIL SEAL	47	WASHER
17	GEAR BOX OUT COVER	48	LOCKING NUT
18	SCREW M8X155	49	SCREW M6X16
19	NUT M8	50	LOCKING NUT M6
20	ARC GASKET	51	DEPTH SKID
21	OUTER BLADE	52	WASHER
22	INNER BLADE	53	STOP SWITCH ASSEMBLY
23	CLIP SPRING	54	ALLEN SCREW (M5*35)
24	WOOLEN FELT	55	WIRE FASTEN BUCKLE
25	FRONT MUD GUARD	56	THROTTLE SWITCH ASSEMBLY
26	BACK MUD GUARD	57	LOCATING PIN
27	SCREW M8X15	58	B-SHAPED PIN
28	NUT M8	59	WASHER
29	ALLEN SCREW M8X45	60	KEY
30	LEFT HANDLE	61	ENGINE
31	RIGHT HANDLE		



Engine for GK83021

NO.	DESCRIPTION	NO.	DESCRIPTION
1	OIL TANK	30	PISTON RING
2	ALLEN SCREW M5X20	31	ALLEN SCREW M5X20
3	OIL TANK BRACKET	32	CYLINDER
4	ALLEN SCREW M5X35	33	MUFFLER GASKET
5	M8 NUT	34	MUFFLER
6	WASHER	35	ALLEN SCREW 6MX60
7	WASHER	36	MUFFLER COVER
8	ALLEN SCREW M5X20	37	ALLEN SCREW M5X12
9	LEFT COVER	38	ALLEN SCREW M5X25
10	SPRING WASHER	39	IGNITION COIL
11	STEP SCREW M8X24	40	SPARK PLUG
12	CLUTCH	41	ALLEN SCREW(M5*30)
13	FLY WHEEL	42	INTAKE MANIFOLD
14	15X30X7 OIL SEAL	43	CARBURETOR PAPER GASKET
15	6202 BEARING	44	CARBURETOR
16	LEFT CASE	45	AIR FILTER
17	CRANK SHAFT	46	ALLEN SCREW M5X55
18	WOODRUFF KEY	47	AIR FILTER GASKET
19	CASE WASHER	48	AIR FILTER NET
20	RIGHT CASE	49	AIR FILTER SPONGE
21	ALLENSCREW M5X12	50	AIR FILTER COVER
22	12X22X7 OIL SEAL	51	CYLINDER COVER
23	RECOIL STARTER ALUMINUM GASKET	52	ALLEN SCREW M5X12
24	START DIAL	53	ALLEN SCREW M5X20
25	RECOIL START	54	CYLINDER COVER CAP
26	NEEDLE BEARING	55	CYLINDER PAPER GASKET
27	PISTON PIN CLIP	56	INTAKE MANIFOLD PAPER GASKET
28	PISTON PIN	57	ALLEN SCREW M5X20
29	PISTON	58	LOCATING PINS

ST20140421